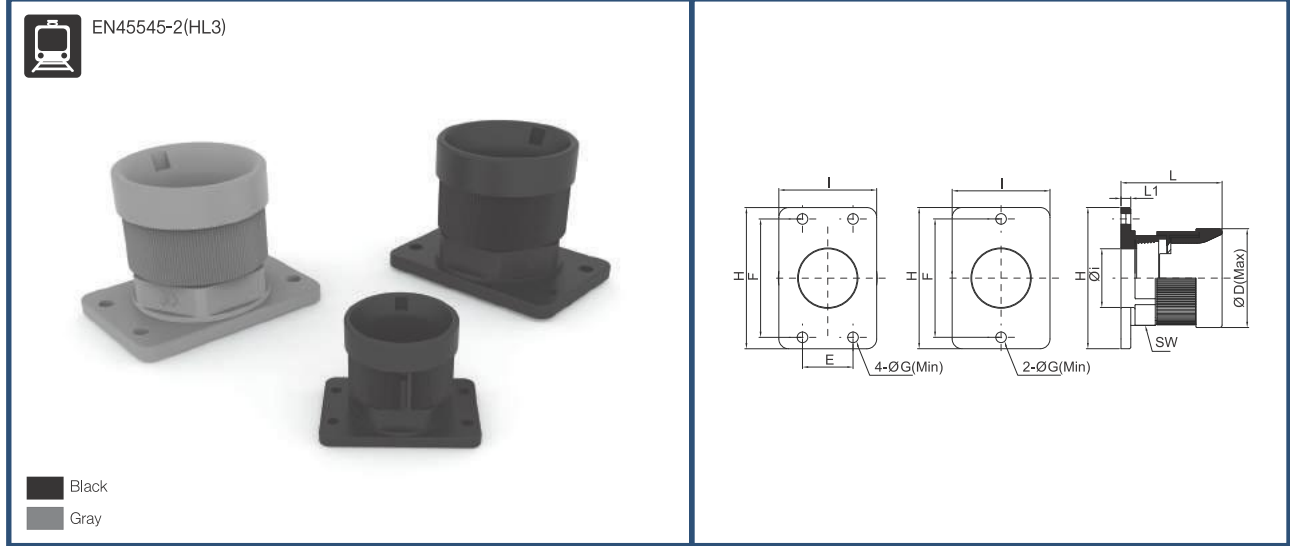


## PNOC IP67



- Material : High Quality Polyamide 6
- Degrees of Protection : IP 67 (EN 60529)
- The max. Instantaneous Temperature : -40°C to +105°C
- Short Term : up to +150°C
- Self-Extinguishing : UL94-HB / Free of Halogen Phosphorous and cadmium
- Color : Black & Gray
- Application : Machine tool, Shipbuilding, Tramway, Industrial / Automatic Machinery, Printing Machine etc. Pipe with connector.

### » Product size



Black	Gray	Tube Size	E	F	G	H	I	L1	L	Øi	ØD	SW
PNOC-12B	PNOC-12G	12	-	36,5	5,5	46,0	32,0	5,0	35,1	15,0	27,6	22,8
PNOC-16B	PNOC-16G	16	-	36,5	5,5	46,0	32,0	5,0	37,0	17,5	33,0	28,0
PNOC-22B	PNOC-22G	22	30,5	53,5	5,5	65,0	45,0	5,0	44,7	22,0	43,0	37,5
PNOC-28B	PNOC-28G	28	31,0	54,8	6,5	64,8	45,0	6,0	53,4	27,0	48,8	43,0
PNOC-36B	PNOC-36G	36	31,0	72,6	6,5	86,6	60,0	6,0	62,0	36,0	60,6	52,2
PNOC-48B	PNOC-48G	48	30,5	72,6	6,5	86,6	73,0	6,0	66,4	50,0	71,8	64,0

(Dimensions in mm)

